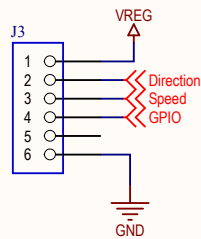
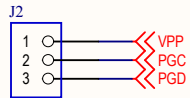
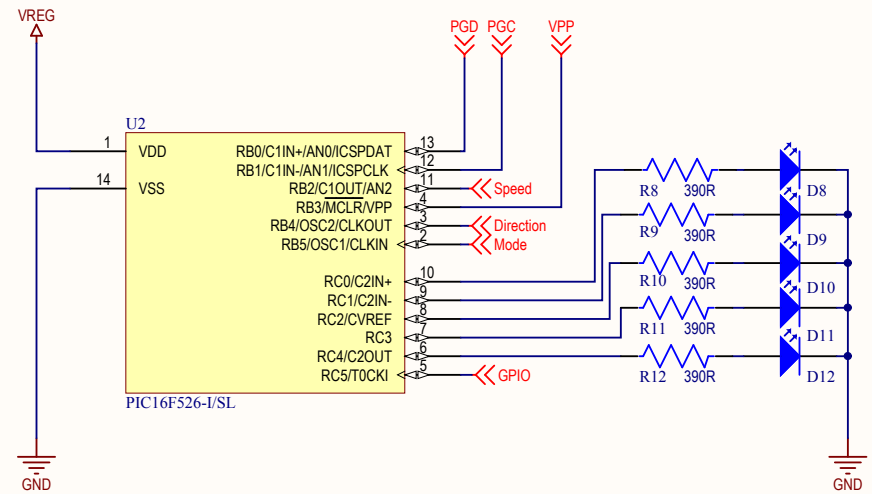
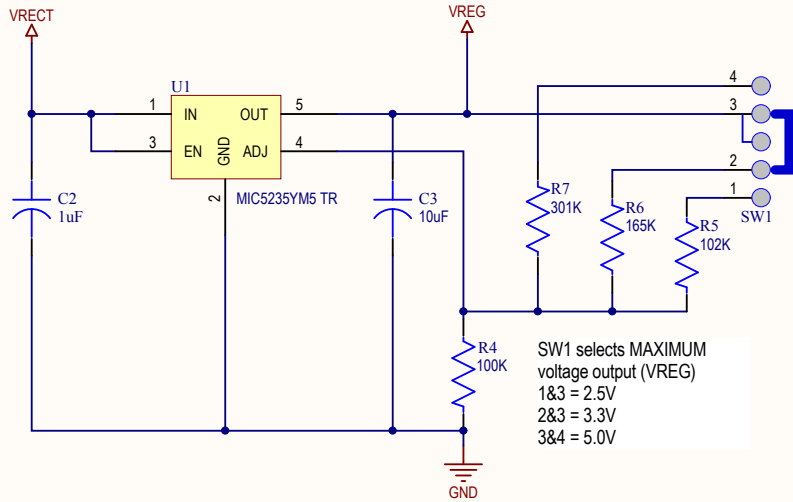
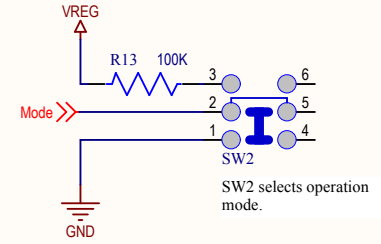
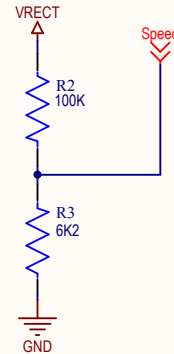
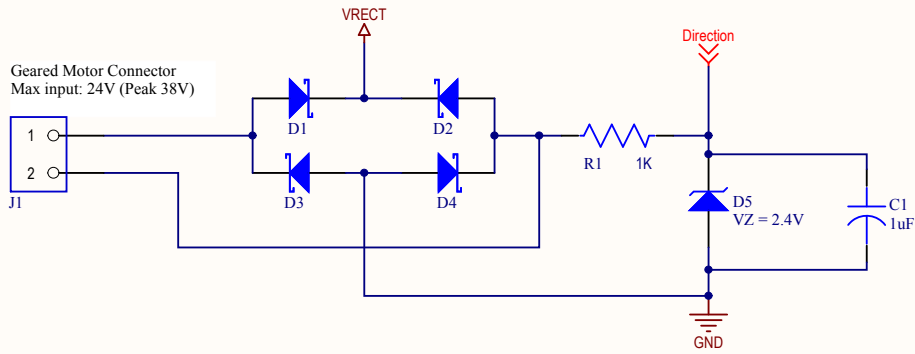


Geared Motor Connector
Max input: 24V (Peak 38V)



| | | | |
|--|-------------------------------|---------------------------------------|--|
| Microsoft Research Cambridge | | Title Peppermill Power Board (PPB) | |
| Size A4 | Number | Revision | |
| Date: | 02/07/2010 | Sheet of | |
| File: | C:\Users\I\PepperBoard.SchDoc | Drawn By: nvillar & shodges | |

| Comment | Description | Designator | Footprint | LibRef | Pricing 1 | Quantity |
|---------------------------------------|--|--------------------------|------------------------------|---------------------------------------|---|----------|
| CAP 1206 1uF 50V MCCA000572 | MULTICOMP - MCCA000572 - MLCC, 1206, Y5V, 50V, 1UF | C1, C2 | CAPC3216N | CAP 1206 1uF 50V MCCA000572 | 10=0.032, 250=0.024, 1000=0.018, 3000=0.012 (GBP) | 2 |
| CAP 0805 10uF 6.3V CCA000268 | MULTICOMP - MCCA000268 - MLCC, 0805, Y5V, 6.3V, 10UF | C3 | 0805 CAP | CAP 0805 10uF 6.3V CCA000268 | 100=0.025, 500=0.019, 1000=0.014, 3000=0.01 (GBP) | 1 |
| DIODE SCHOTTKY PMEG4005EJ,115 | NXP - PMEG4005EJ,115 - SCHOTTKY RECT 40V 0.5A SOD323F | D1, D2, D3, D4 | SOD-323F | DIODE SCHOTTKY PMEG4005EJ,115 | 1=0.06, 25=0.05, 100=0.04, 250=0.03, 500=0.026 (GBP) | 4 |
| DIODE ZENER 2.4V T52H- C2V4,115 | NXP - BZT52H- C2V4,115 - DIODE ZENER 0.375W 2.4V SOD123F | D5 | SOD-123 | DIODE ZENER 2.4V T52H- C2V4,115 | 1=0.03, 25=0.02, 100=0.02, 250=0.02, 500=0.01 (GBP) | 1 |
| LED 0603 ORANGE SML- 311DTT86K | ROHM - SML- 311DTT86K - LED, 0603, LO-CUR. ORANGE | D8, D9, D10, D11, D12 | 0603 LED | LED 0603 ORANGE SML- 311DTT86K | 1=0.22, 10=0.149, 100=0.109, 250=0.067, 500=0.058 (GBP) | 5 |
| CON WAGO 235- 402/331-000 | WAGO - 235- 402/331-000 - TERMINAL BLOCK, PCB, 5MM, 2POLE | J1 | WAGO-235-402 | CON WAGO 235- 402/331-000 | 1=0.24, 25=0.22, 100=0.21, 250=0.184 (GBP) | 1 |
| HEAD 0.1" RA 3WAY 22-05-2031 | MOLEX - 22-05- 2031 - HEADER, R/A, SQ PIN, 0.1", 3WAY | J2 | 0.1" HEADER RA 3WAY MOLEX | HEAD 0.1" RA 3WAY 22-05-2031 | 5=0.3, 100=0.28, 200=0.26, 500=0.24, 1000=0.23, 2500=0.22 (GBP) | 1 |
| HEAD 0.1" RA 6WAY 22-05-2061 | MOLEX - 22-05- 2061 - HEADER, R/A, SQ PIN, 0.1", 6WAY | J3 | 0.1" HEADER RA 6WAY MOLEX | HEAD 0.1" RA 6WAY 22-05-2061 | 5=0.5, 100=0.39, 200=0.38, 500=0.35, 1000=0.33, 2500=0.31 (GBP) | 1 |
| RES 0603 1% 1K | MULTICOMP - MC 0.063W 0603 1% 1K - RESISTOR, 0603 1K | R1 | 0603 RES | RES 0603 1% 1K | 50=0.023, 250=0.018, 1000=0.016, 5000=0.012, 15000=0.01 (GBP) | 1 |
| RES 0603 1% 100K | MULTICOMP - MC 0.063W 0603 1% 100K - RESISTOR, 0603 100K | R2, R4, R13 | 0603 RES | RES 0603 1% 100K | 50=0.022, 250=0.017, 1000=0.015, 5000=0.012, 15000=0.01 (GBP) | 3 |
| RES 0603 1% 6K2 | MULTICOMP - MC 0.063W 0603 1% 6K2 - RESISTOR, 0603 6K2 | R3 | 0603 RES | RES 0603 1% 6K2 | 50=0.022, 250=0.017, 1000=0.015, 5000=0.012, 15000=0.01 (GBP) | 1 |
| RES 0603 1% 102K | MULTICOMP - MC 0.063W 0603 1% 102K - RESISTOR, 0603 102K | R5 | 0603 RES | RES 0603 1% 102K | 50=0.022, 250=0.017, 1000=0.015, 5000=0.012, 15000=0.01 (GBP) | 1 |
| RES 0603 1% 165K | MULTICOMP - MC 0.063W 0603 1% 165K - RESISTOR, 0603 165K | R6 | 0603 RES | RES 0603 1% 165K | 50=0.011, 250=0.009, 1000=0.008, 5000=0.006, 15000=0.005 (GBP) | 1 |
| RES 0603 1% 301K | MULTICOMP - MC 0.063W 0603 1% 301K - RESISTOR, 0603 301K | R7 | 0603 RES | RES 0603 1% 301K | 50=0.009, 250=0.008, 1000=0.007, 5000=0.005, 15000=0.004 (GBP) | 1 |
| RES 0603 5% 390R | MULTICOMP - MC 0.063W 0603 5% 390R - RESISTOR, 0603 390R | R8, R9, R10, R11, R12 | 0603 RES | RES 0603 5% 390R | 50=0.012, 250=0.011, 1000=0.009, 5000=0.008, 15000=0.006 (GBP) | 5 |
| SWI SLIDE SP3T EG1381A | SWITCH SLIDE SP3T L=2.0MM SMD | SW1 | EG1381A | SWI SLIDE SP3T EG1381A | 1=0.59, 10=0.468, 100=0.4212, 250=0.3588 (USD) | 1 |
| SWI SLIDE DPDT EG1390A | SWITCH SLIDE DPDT L=1.0MM SMD | SW2 | EG1390A | SWI SLIDE DPDT EG1390A | 1=0.66, 10=0.528, 100=0.4752, 250=0.4048, 500=0.3344 (USD) | 1 |
| VREG LDO ADJ MIC5235YM5 TR | MICREL - MIC5235YM5 TR - V REG, LDO 0.15A, 5235, SOT-23-5 | U1 | SOT23-5AM | VREG LDO ADJ MIC5235YM5 TR | 1=1.03, 10=0.73, 100=0.56 (GBP) | 1 |
| PIC16F526-I/SL | 8-Bit Flash Microcon | U2 | SOIC-SL14_N | PIC16F526-I/SL | | 1 |